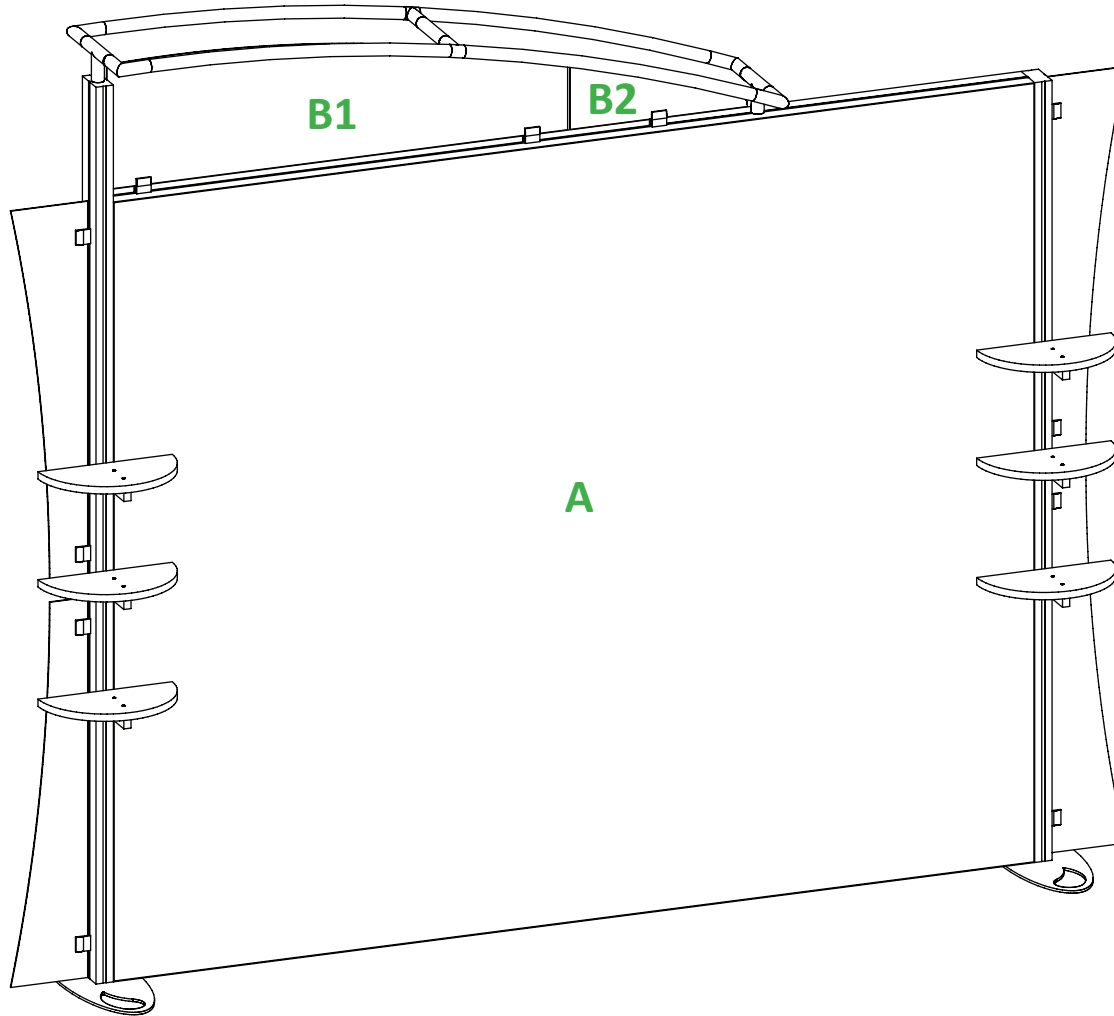


# ECO-1099

PLEASE USE PDF FOR REFERENCE ONLY.

Contact your distributor for final graphic templates per order.



## GRAPHIC SPECS

<b>GRAPHIC A</b>	QTY. 1
MATERIAL:	BACKLIT SEG FABRIC GRAPHIC *
TREATMENT:	SILICONE EDGE GRAPHIC
APPROX. SIZE:	95.843"w x 79.843"h
<b>GRAPHIC B1</b>	QTY. 1
MATERIAL:	ECO-GLASS 2-PIECE HEADER
TREATMENT:	VINYL WEED & TAPE
APPROX. SIZE:	47.00"w x 12.847"h
<b>GRAPHIC B2</b>	QTY. 1
MATERIAL:	ECO-GLASS 2-PIECE HEADER
TREATMENT:	VINYL WEED & TAPE
APPROX. SIZE:	19.463"w x 7.331"h

\* Recycled fabric options available

### Recycled Fabric Graphics

Made from 100% recycled soda bottles, Paradise Fabric is a high quality 100% recycled content fabric, made in America. Recycled fabric options will vary depending on graphic application.

### ECO-Glass

ECO-Glass is a "green" alternative to standard acrylic or plexiglass and is made from 100% post-industrial recycled content. ECO-Glass can be used for infills, accents and direct print graphic substrate. ECO-Glass can be clear or frosted.

### ECO-Board

ECO-Board is a white printable and completely biodegradable polystyrene material. It offers a 2-sided printable surface which makes it an eco-friendly alternative to Sintra (made from PVC), and can biodegrade in a landfill in as little as 9 months. ECO-Board comes in 2 different thicknesses - 1/16" & 1/8."